

FINAL

CONTACT: Sarah Fletcher / Susan Zevon
LOU HAMMOND & ASSOCIATES
212-891-0220 / 212-891-0230
sarahf@lhammond.com, susanz@lhammond.com

**SHADE-O-MATIC® ANNOUNCES VOLUNTARY CORRECTIVE ACTION
FOR CERTAIN STYLES OF ITS 2-INCH PRINTED FAUX WOOD BLINDS**

TORONTO, May 30, 2008 – Shade-O-Matic®, a leading manufacturer and distributor of hard window coverings headquartered here, has recently determined that select styles of its 2-inch printed faux wood blinds do not comply with certain voluntary requirements of the National Standard of Canada, CAN/CSA-Z600-06 Safety of Corded Window Covering Products, published by the Canadian Standards Association (CSA). Although the CSA standard is strictly voluntary as stated, Shade-O-Matic is taking this initiative in accordance with its strong commitment toward product safety within the window covering industry.

In particular, testing by outside parties revealed that the inner cord of these blinds can be pulled out to form a loop more than 4 inches in diameter, which could pose a strangulation hazard to young children, because the safety cord stops, which are used to prevent this, were positioned more than 1 to 2 inches below the headrail when the blind is in the fully lowered position.

Shade-O-Matic responded to the situation by immediately suspending any further sales of the affected product. The two retailers of the product, The Home Depot Canada and Sears Canada Inc., have done the same. Shade-O-Matic has also developed a Corrective Action Notice for the consumer with an explanation of the problem and instructions on how to fix the problem (see below). Shade-O-Matic has itself taken the necessary corrective action for product going forward and expects to resume sales of the product momentarily.

“We are committed to the highest levels of product safety within the window covering industry and are taking all steps necessary to resolve the situation,” said Angelo Bitondo, President of Shade-O-Matic.

The recommended corrective action, which was evaluated by OnSpeX, a division of CSA Group, involves moving the inner cord stop to within 1 to 2 inches below the headrail when the blind is in the fully lowered position.

Corrective Action Notice
May 2008

Summary

Product:	Shade-O-Matic 2-inch printed faux wood blinds (select styles)
Issue:	Inner cord can be pulled out to form a loop more than 4 inches in diameter
Risk:	Strangulation hazard to young children

Complete Corrective Action Notice

Full Product Description

Sold at The Home Depot Canada as Jasper Faux Wood Blinds (for stock orders) and S48 Printed Faux Wood Blinds (for cut-down product).

Sold at Sears Canada Inc. (through catalogue) as Whole Home 2" Printed Faux Wood Blinds.

Hazard Identified

These blinds do not meet voluntary Canadian Standards Association (CSA) safety standard and may pose a strangulation hazard to young children.

In particular, testing by outside parties revealed that the inner cord of these blinds can be pulled out to form a loop more than 4 inches in diameter, which could allow a child to become entangled in the cord.

It appears that the safety cord stops, which are used to prevent this, were positioned more than the required 1 to 2 inches below the headrail when the blind is in the fully lowered position.

No incidents or injuries have been reported to Health Canada, Shade-O-Matic, The Home Depot Canada or Sears Canada Inc. relating to the issue.

Corrective Action

Consumers can readily and easily move the safety cord stop to within 1 to 2 inches below the headrail when the blind is in the fully lowered position. *Detailed instructions below or visit <http://www.shade-o-matic.com/pub/pubann.htm>.*



WARNING

Reduce Risk of Strangulation to Infants and Toddlers.
Re-Position Safety Cord Stop.

To Position Safety Cord Stop:

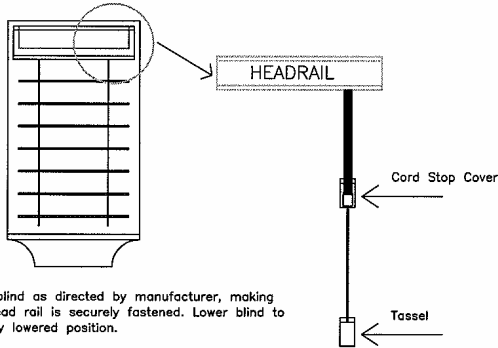


Fig.1—Install blind as directed by manufacturer, making sure head rail is securely fastened. Lower blind to the fully lowered position.

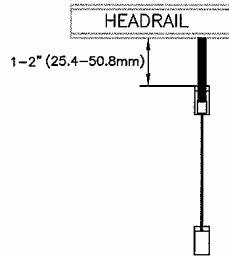


Fig.2—Measure the distance from the bottom of the head rail to the cord stop cover.
If the measurement exceeds 2" (50.4mm) then you will need to implement the corrective action.
If the measurement is less than 2" (50.4mm), there is no further action required.
Your blind is ready to use.

CORRECTIVE ACTION:

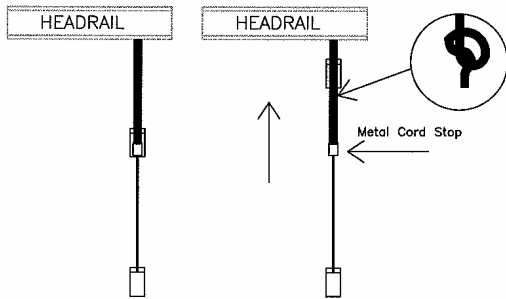


Fig.3—LIFT THE CORD STOP COVER AND METAL CORD STOP.

Form a knot that will fall between the 1-2" (25.4-50.8mm) position from the bottom of the headrail.(Not necessary to untie the existing knot)
If the excess cord creates a loop greater than 4"(101.6mm) in diameter then cut the excess cord (ie. between original knot and new knot).

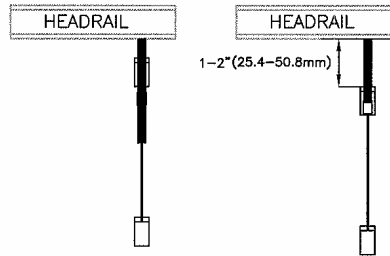


Fig.4—Lower the cord stop cover and metal cord stop to the new knot position.
Hold cord stop cover in place and pull firmly on the tassel to re-tighten knot.

For more information, consumers may contact Shade-O-Matic toll-free at 1-866-218-1235 between 9 a.m. and 5 p.m. ET Monday through Friday or visit the company's Web site at www.shade-o-matic.com.

Number Sold

Approximately 75,000 units have been sold across Canada.

Time Period Sold

Product was sold between November 2006 and May 2008 at The Home Depot Canada; May 2007 to May 2008 at Sears Canada Inc. through catalogue.

Supplier

Shade-O-Matic

Retailers

The Home Depot Canada

Sears Canada Inc. (through catalogue)